

# DH-PFB200C

## In-ceiling Mount Bracket



### Features

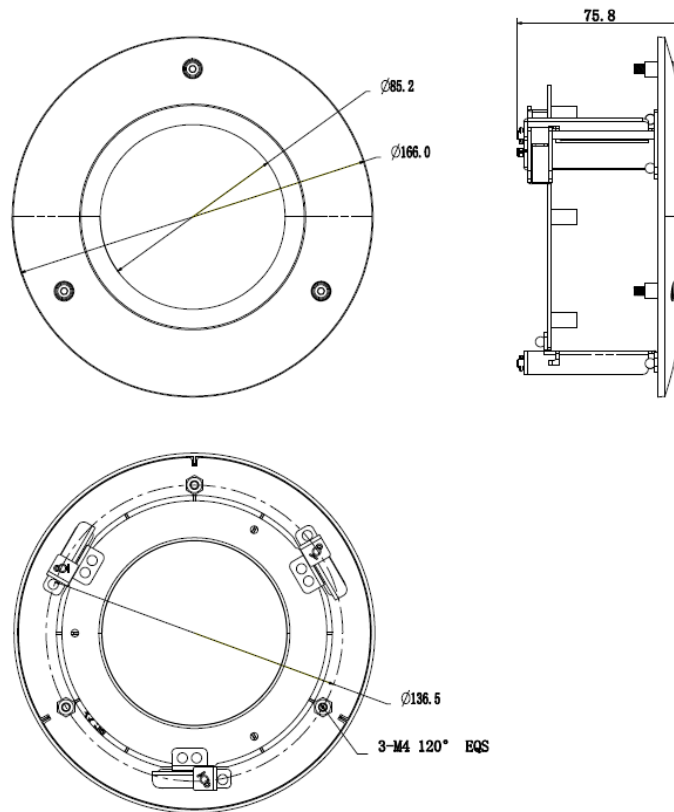
- Material: SECC & PC
- Junction Box
- Neat & Integrated design

### Specifications

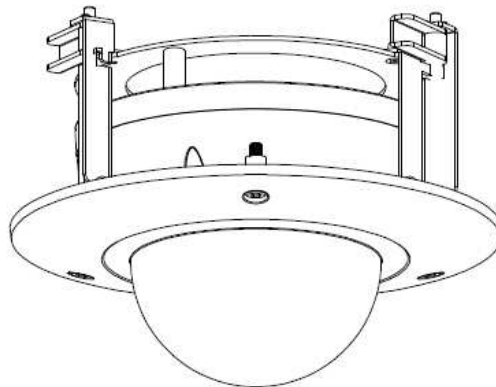
Model	DH-PFB200C
<b>General</b>	
Material	SECC & PC
Dimension	Φ166.0x75.8mm
Inch Thread	G3/4"
Operating Temperature	-40°C ~60°C
Humidity	0~90% RH
Load Bearing	1.0Kg
Weight	0.32Kg
Color	White
Applicable Model	Please see "Accessory Selection"

# DH-PFB200C

## Dimensions (mm)



## Application



---

### Dahua Technology Co., Ltd.

1199 BinAn Road, Binjiang District, Hangzhou, China

Tel: +86-571-87688883

Fax: +86-571-87688815

Email: [overseas@dahuatech.com](mailto:overseas@dahuatech.com)

[www.dahuasecurity.com](http://www.dahuasecurity.com)

\*Design and specifications are subject to change without notice.

© 2014 Dahua Technology Co., Ltd.